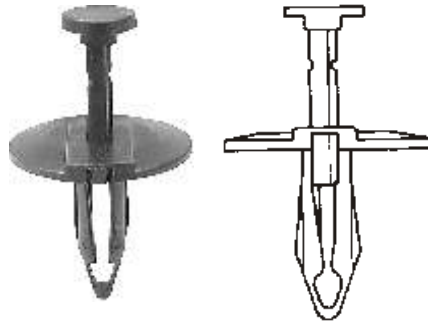




20993
(GM: 11589295;
Ford: W712665-S300)
Black Nylon

Fender, Flare, Gas Tank
& Panel Attachment
Push-Type Retainer
Head Diameter: 25mm
Stem Length: 20mm
Panel Range:
3.0mm - 6.0mm
Fits Into 10.5mm Hole
GM 2005 - On
Ford

UNIT PACKAGE: 25



14020
(Ford: N802781-S;
GM: 14093088)
Black Nylon

Splash Shield & Fascia Retainer
Head Dia: 1"
Stem Length: 7/8"
Fits Into 1/4" Hole

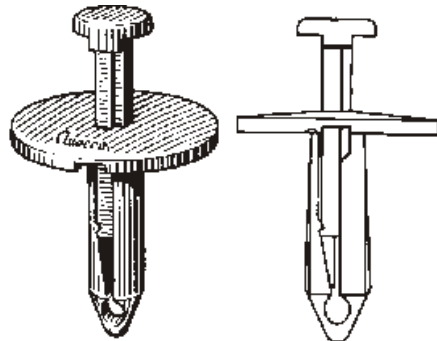
UNIT PACKAGE: 25



18503
(W701054-S300)
Black Nylon

Front Bumper
Push-Type Retainer
Head Diameter: 1"
Stem Length: 1"
Fits Into 5/16" Hole
Contour & Mystique
1995-On

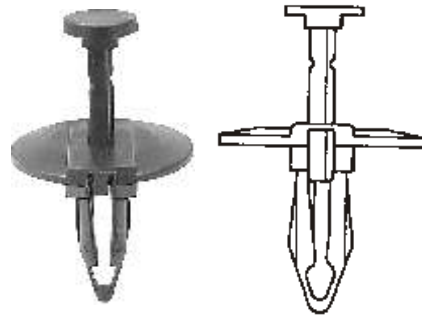
UNIT PACKAGE: 25



15701
(N804674-S)
Black Nylon

Push-Type Retainer
Head Dia: 25mm
Stem Length: 27mm
Fits Into 7mm Hole
Mustang & Capri

UNIT PACKAGE: 50



14019
(Ford: N803421-S,
Chry: 6501590)
Black Nylon

Splash Shield & Fascia Retainer
Head Dia: 1"
Shoulder Length: 1/8"
Stem Length: 7/8"
Fits Into 5/16" Hole

UNIT PACKAGE: 25



19337
(N808908-S)
Black Nylon

Headlight Accessory
Push-Type Retainer
Head Diameter: 14mm
Stem Length: 23mm
Fits Into 6.3mm (1/4") Hole
Mustang
1996 - On

UNIT PACKAGE: 10



19244
(N808847-S)
Black Nylon

Trunk Trim Panel
Push-Type Retainer
Head Diameter: 1"
Stem Length: 11/16"
Fits Into 1/4" Square Hole
Taurus & Sable
1996-On

UNIT PACKAGE: 25



13994
(GM: 20570245;
Ford: N804614S)
Black Nylon

Spare Tire Retainer
Head Dia: 1"
Stem Length: 7/8"
Fits Into 5/16" Hole

UNIT PACKAGE: 25



20518
(W705957-S300,
W706519-S300)
Black Nylon

Radiator Sight Shield
Push-Type Retainer
Head Diameter: 24.5mm
Stem Length: 14mm
Fits Into 9mm Hole
Lincoln LS 2000 - On

UNIT PACKAGE: 10