

AIR CONDITIONING & HEATER FAN MOTORS  
Original Equipment



Not Actual Size

**19077**  
(52466047)

With Integral A.C.  
GM Cars 1977-64  
GM Trucks 1990-64

UNIT PACKAGE: 1



Not Actual Size

**19081**  
(D8UZ-19805-A)

Ford: E100/350 Econoline  
Van 1991-88

UNIT PACKAGE: 1

OEM ELECTRIC RADIATOR COOLING  
FAN MOTORS  
Original Equipment



Not Actual Size

**19085**  
(22098790)

GM 1993-82

UNIT PACKAGE: 1



Not Actual Size

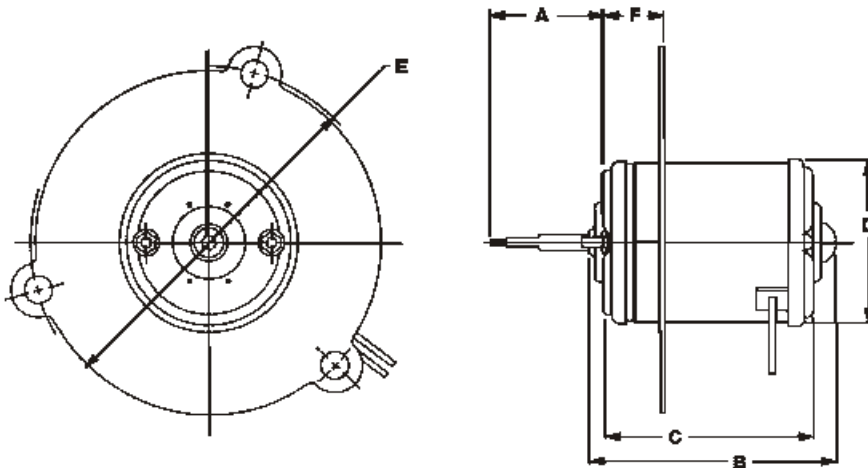
**19086**

Ford: Escort & Mustang  
1990-87  
LTD 1983  
Tempo 1990-84  
Thunderbird  
1988-84

Mercury:  
Capri 1986  
Cougar 1986-84  
Lynx 1987-86  
Topaz 1990-84  
Tracer 1990-89

UNIT PACKAGE: 1

MOTOR SPECIFICATION CHART  
(12 Volts)



- A = Shaft extension from face
- B = Overall motor length
- C = Case mounting face to mounting face
- D = Outside motor diameter
- E = Mounting hole center to center
- F = Case mounting face to mounting flange

Auveco Part No.	Dia	Shaft Rotation	A	B	C	D	E	F	Motor Type
19077	5/16"	C.W.S.E.	1-3/16"	4-7/8"	4-1/2"	3-3/8"	Varies	13/16"	GM A/C Fl. Mtg.
19081	5/16"	Reversible	1-7/16"	4-7/16"	3-11/16"	3-1/4"	Varies	13/16"	Ford Heater
19085	8mm	C.W.S.E.	1/2"	4-1/8"	3-3/8"	3-1/4"	Varies	1-9/16"	GM Rad. Fan
19086	5/16"	Reversible	1"	4-1/2"	3-3/4"	3-1/4"	4-7/8"	7/16"	Ford Rad. Fan Fl. Mtg.

C.W.S.E.-Clockwise Shaft End