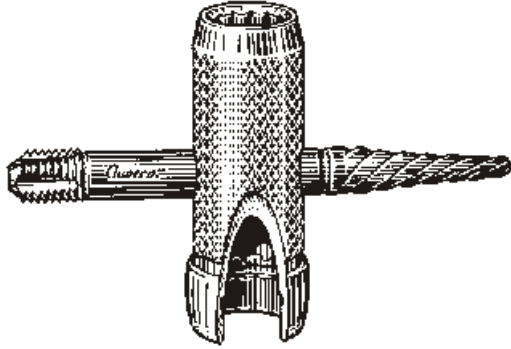


4-Way Grease Fitting Tools



15693

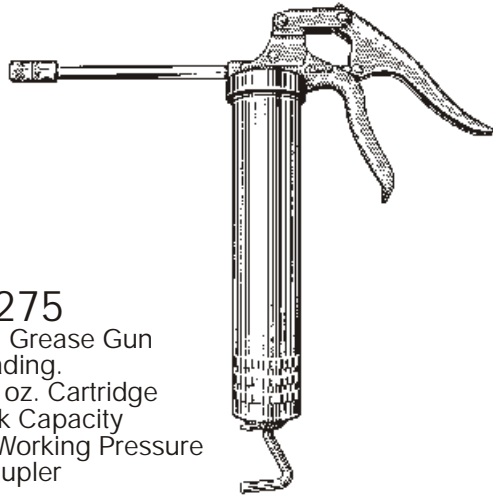
For popular 1/4-28 and 6mm fittings. Tap repairs 1/4-28 threads. Wrench removes 5/16" and 3/8" hex fittings and plugs. Installs new 1/4-28 fittings. "Easy-out" removes broken fittings.

UNIT PACKAGE: 1

15694

For 1/8" NPT fittings. Tap repairs 1/8" NPT threads. Wrench removes 7/16" and 3/8" hex fittings and plugs. Installs new 1/8" NPT fittings. "Easy Out" removes broken fittings.

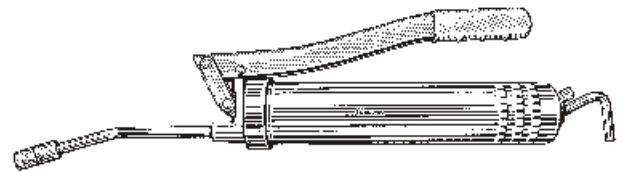
UNIT PACKAGE: 1



16275

One-Hand Grease Gun
3-Way Loading.
Uses 14.5 oz. Cartridge
16 oz. Bulk Capacity
2500 PSI Working Pressure
3 Claw Coupler
Blue

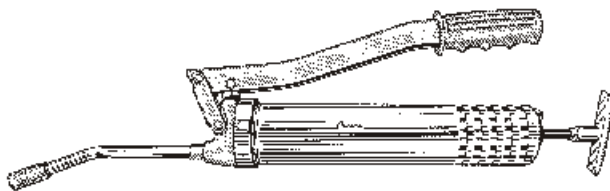
UNIT PACKAGE: 1



16276

Heavy Duty Grease Gun
3-Way Loading
Uses 14.5 oz. Cartridge
16 oz. Bulk Capacity
10,000 PSI Working Pressure
3 Claw Coupler
Blue With Orange Vinyl Grip

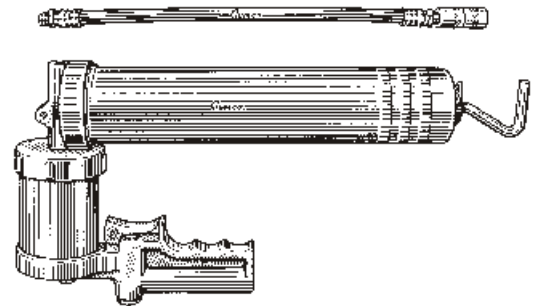
UNIT PACKAGE: 1



16277

Professional Grease Gun
Delivers Grease At Various Lever Openings
3-Way Loading
Uses 14.5 oz. Cartridge
16 oz. Bulk Capacity
Variable Pressure
4 Claw Coupler
Zinc With Black Rubber Grip

UNIT PACKAGE: 1



16278

Air Operated Grease Gun
Pressure Ratio 50:1
Required Air Pressure: 30-120 PSI.
Suggested Working Air
Pressure: 90 PSI
3-Way Loading
Use 14.5 oz. Cartridge
16 oz. Bulk Capacity
4 Claw Coupler
Gray

UNIT PACKAGE: 1