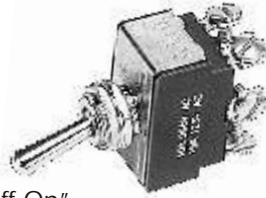


13630

S.P. S.T. Toggle Switch - "Off-On"
 Phenolic housing. Mounting stem 15/32" long
 15/32" diameter. 2 screw terminals. Bat handle
 Rating: 15 Amps 125 Volts AC
 10 Amps 250 Volts AC
 3/4 HP 120-240 Volts AC

UNIT PACKAGE: 1

13632



D.P. D.T. Toggle Switch - "On-Off-On"
 Phenolic housing. Mounting stem 15/32" long.
 15/32" diameter. 6 screw terminals
 Rating: 15 Amps 125 Volts AC
 10 Amps 250 Volts AC
 3/4 HP 120-240 Volts AC

UNIT PACKAGE: 1

13631



S.P. D.T. Toggle Switch - "On-Off-On"
 Phenolic housing. Mounting stem 15/32" long.
 15/32" diameter. 3 screw terminals. Bat handle.
 Rating: 15 Amps 125 Volts AC
 10 Amps 250 Volts AC
 3/4 HP 120-240 Volts AC

UNIT PACKAGE: 1



12233

Illuminated Toggle Switch Mounting
 Panel for use with Auveco Part No.
 12234, 13529, 13530 & 13531.
 1-1/8" x 7/16" Rectangular Hole.

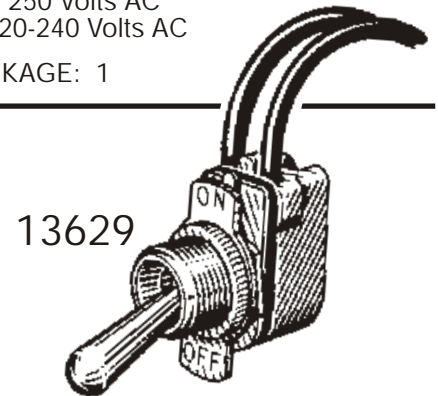
UNIT PACKAGE: 1



12235

Illuminated toggle mounting panel
 1/2" Hole Diameter

UNIT PACKAGE: 1



13629

S.P. S.T. Toggle Switch - "Off-On"
 Two 6" Wire Leads. With nickel
 plated "Off-On" indicator plate
 assembled. Mounting stem 15/32"
 long. 15/32" diameter. Bat handle.
 Rating: 6 Amps 125 Volts AC
 3 Amps 250 Volts AC

UNIT PACKAGE: 1



Indicator Lamps
 Has wire leads for easy installation.
 Mounts into 1/2" hole. 12 Volt
 application.

Installs in Auveco Mounting
 Panel 12235

Auveco
 Part No. Color

20477	With Red Lens
13520	With Green Lens
13521	With Amber Lens
13522	With Blue Lens

UNIT PACKAGE: 1