



13555

Toggle Switch
 Rating: 35 Amps @ 6 Volts
 20 Amps @ 12 Volts
 S.P. S.T. "Off-On". All brass
 Furnished with nickel plated brass
 face nut and brass back-up nut.
 Mounting stem 3/8" long. 7/16"
 diameter with 7/16" x 28 threads.

UNIT PACKAGE: 1



Illuminated
 Toggle Switches

2 Position "Off-On". Handle
 illuminated in 'On' position. With
 bezel nut and back-up collar for
 mounting in 1/2" hole.
 Rating: 20 Amps @ 12 Volts

Part No. Color

- 13523 Red illuminated toggle
- 13524 Green illuminated toggle
- 12236 Amber illuminated toggle
- 13525 Blue illuminated toggle

UNIT PACKAGE: 1



12076

Toggle Switch
 Heavy Duty 2 position "On-Off"
 For 35 Amp. 6-12 Volt DC. 15/32"
 Stem Diameter. Low Voltage -High
 Amp Application. Chrome Plated
 Handle.

UNIT PACKAGE: 1



13556

Toggle Switch
 2 positions "On-Off"
 For lights, blower, pump, etc.
 Black plastic paddle and locking
 ring with level seal and knurled cap
 nut. Sealed to resist water
 penetration. Fits panels up to 1/4"
 thick; requires 15/32" mounting
 hole. Rated 20 Amps @ 12 Volts
 D.C. and has 1/4" spade terminals

UNIT PACKAGE: 1



13514

S.P. D.T. Toggle Switch
 "On-Off-On" Heavy Duty 3 Position
 With 3 blade terminals. Black
 molded. Bat handle. Spring
 loaded for positive snap action.
 Includes bezel nut and collar. Fits
 in 1/2" diameter hole.
 Rated: 16 Amps @12 Volts.

UNIT PACKAGE: 1



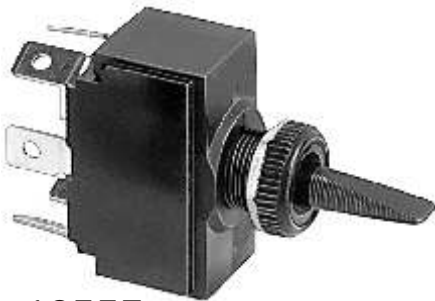
Terminal Coding:
 1 -Accessory
 2 -Ground
 3 -Power

Illuminated rocker switches
 2 Position "Off-On". Rocker
 illuminated in 'On' position. Snaps
 into 1-1/8" x 7/16" rectangular hole.
 10 Amps. @ 12 Volts

Auveco
 Part No. Color

- 12234 Red illuminated rocker
- 13529 Green illuminated rocker
- 13530 Amber illuminated rocker
- 13531 Blue illuminated rocker

UNIT PACKAGE: 1



13557

Toggle Switch
 3 position "On-Off-On"
 For running and anchor lights,
 wipers, manual/auto bilge pumps
 and dual fuel tanks. 20 amps
 @ 12 Volts

UNIT PACKAGE: 1

Body Hardware
 &
 Specialty Fasteners
 = Auveco



13528

Non-illuminated rocker switch
 2 position "Off-On". Fits 1-1/8" x
 7/16" rectangular hole. Rated 10
 Amps @ 12 Volts.

UNIT PACKAGE: 1